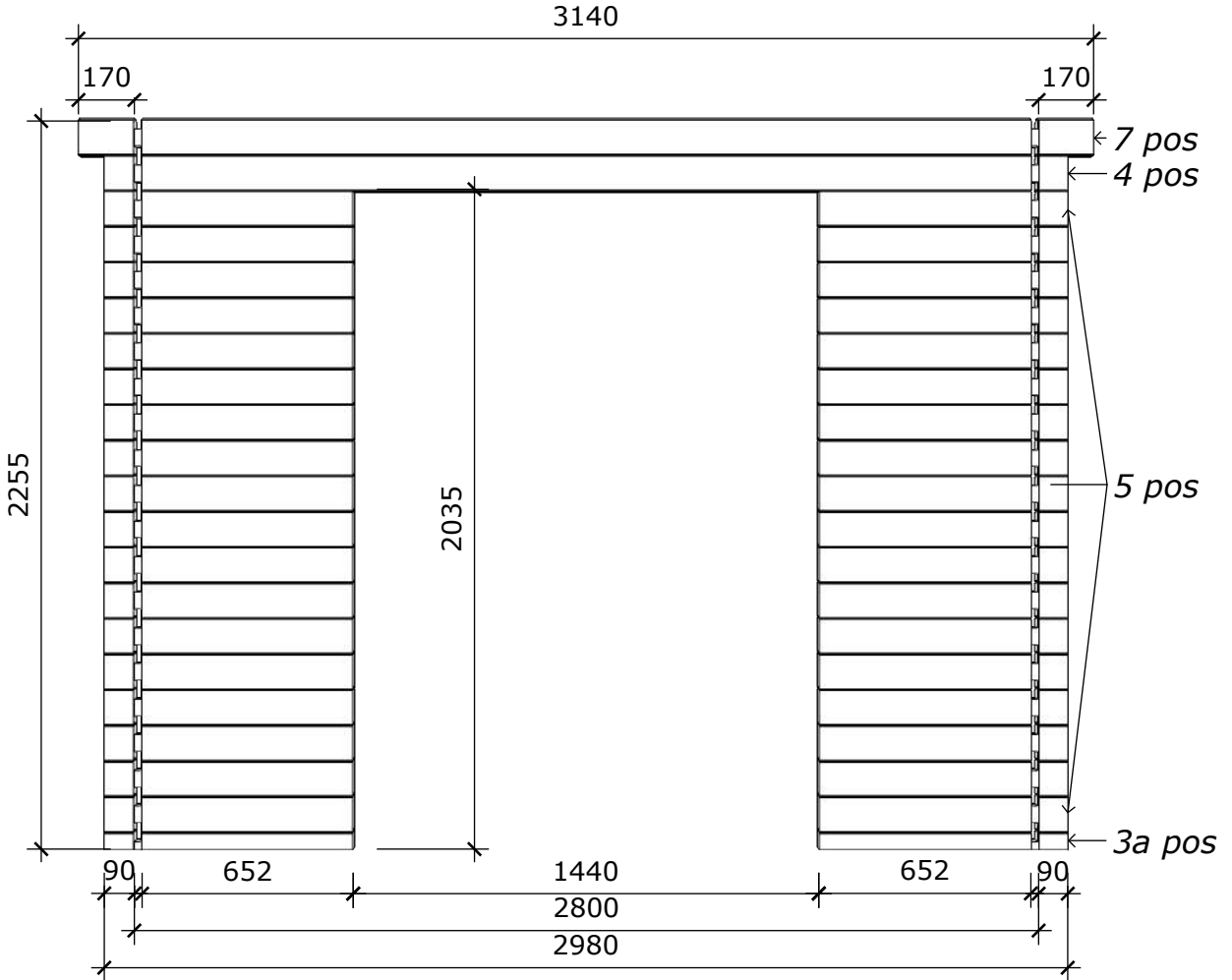
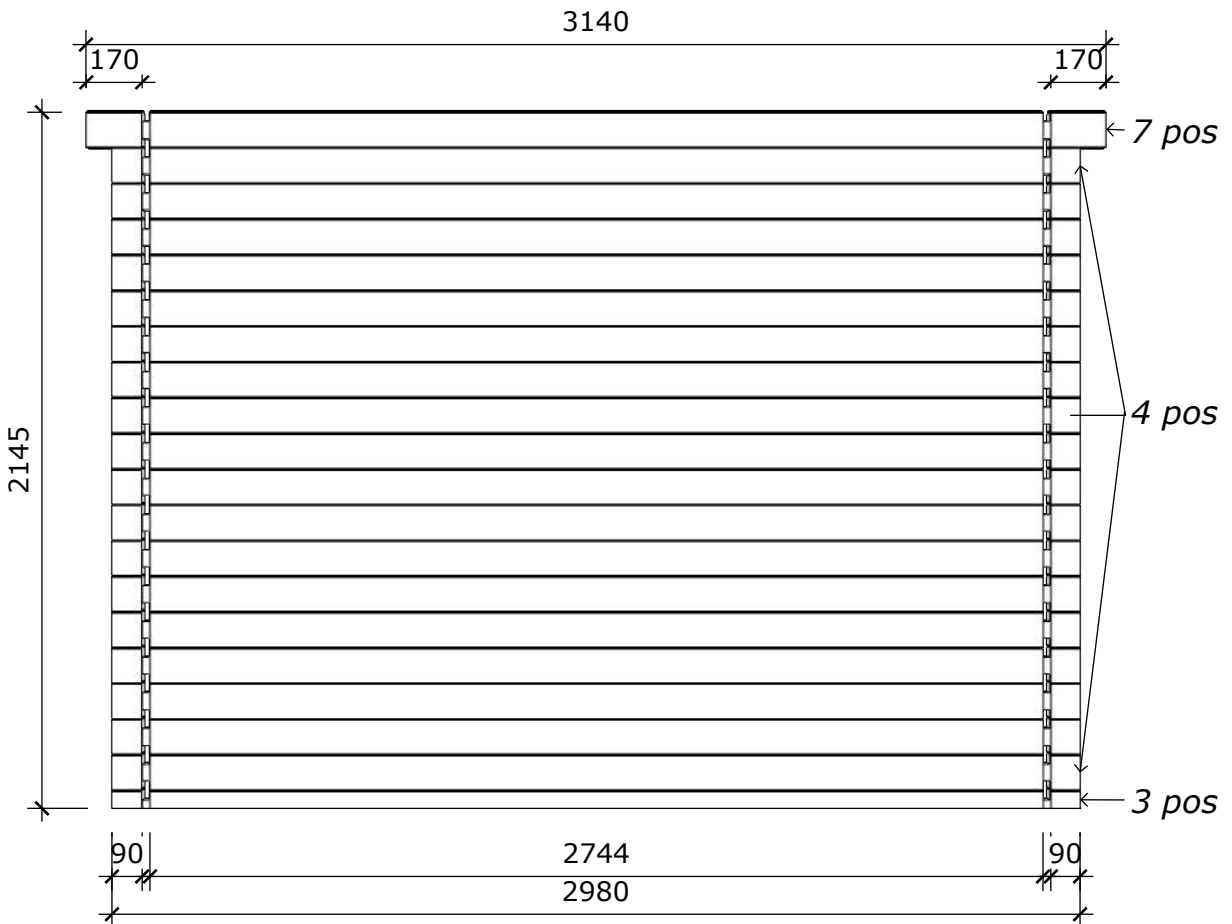


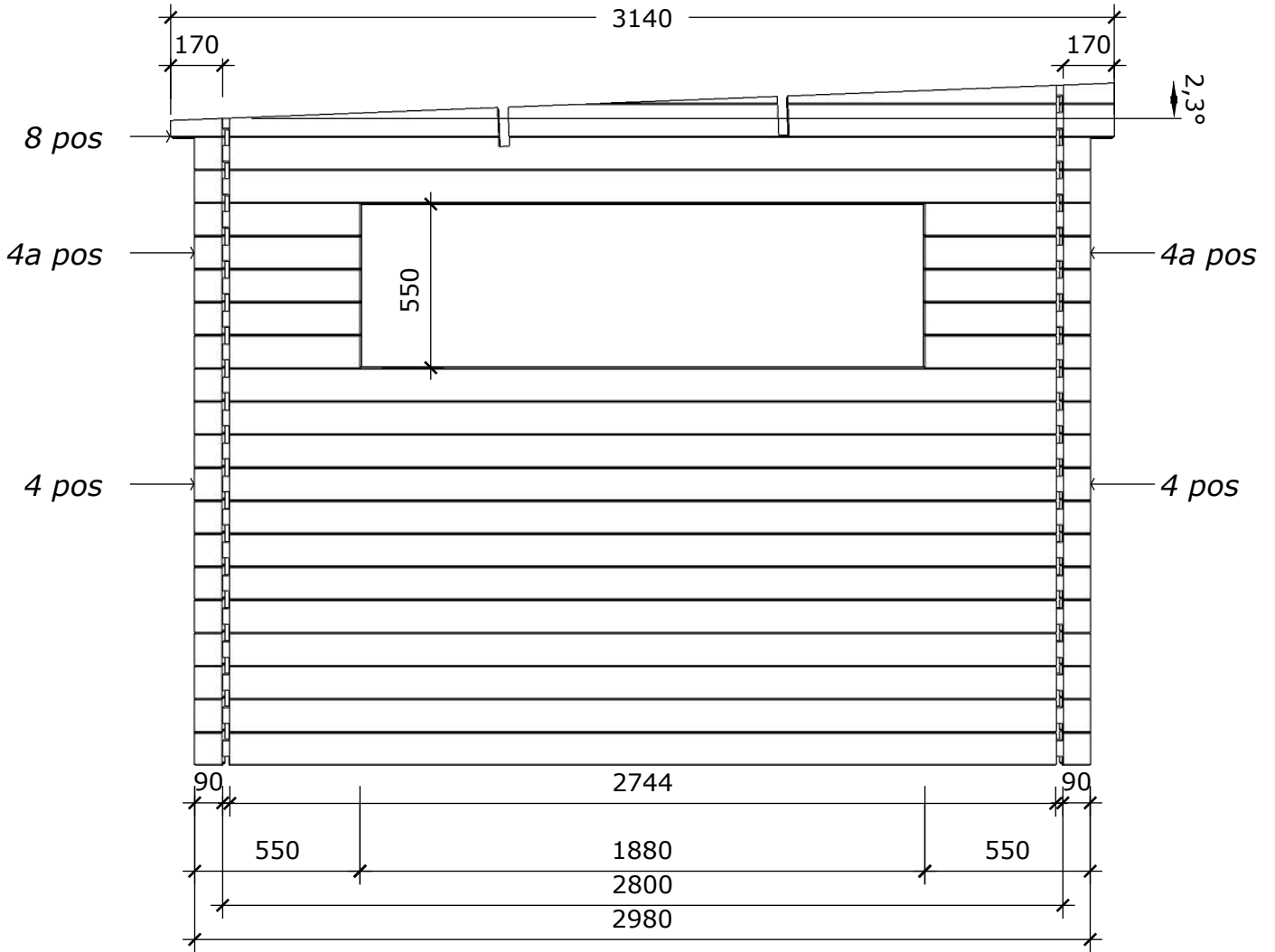
Wall A



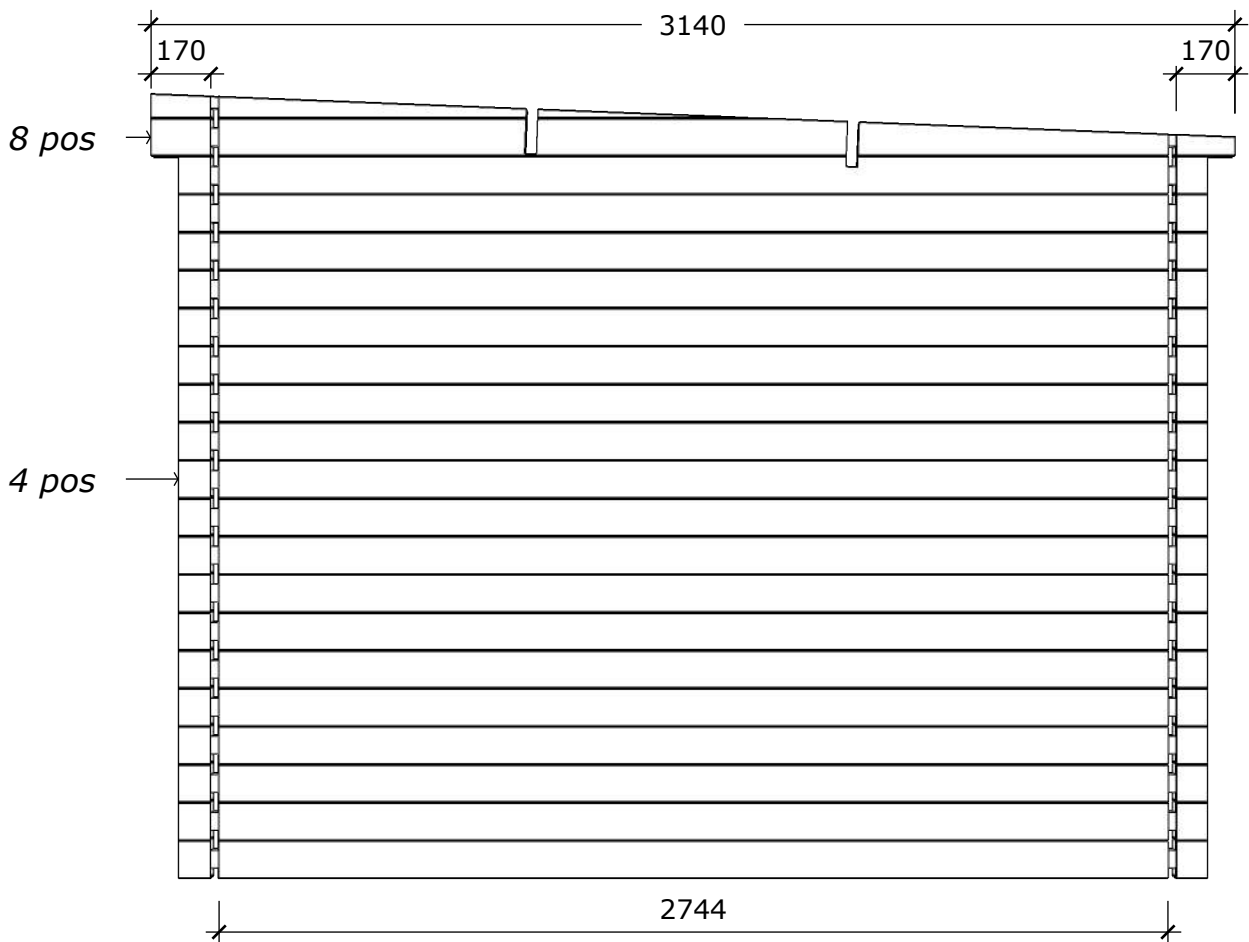
Wall B

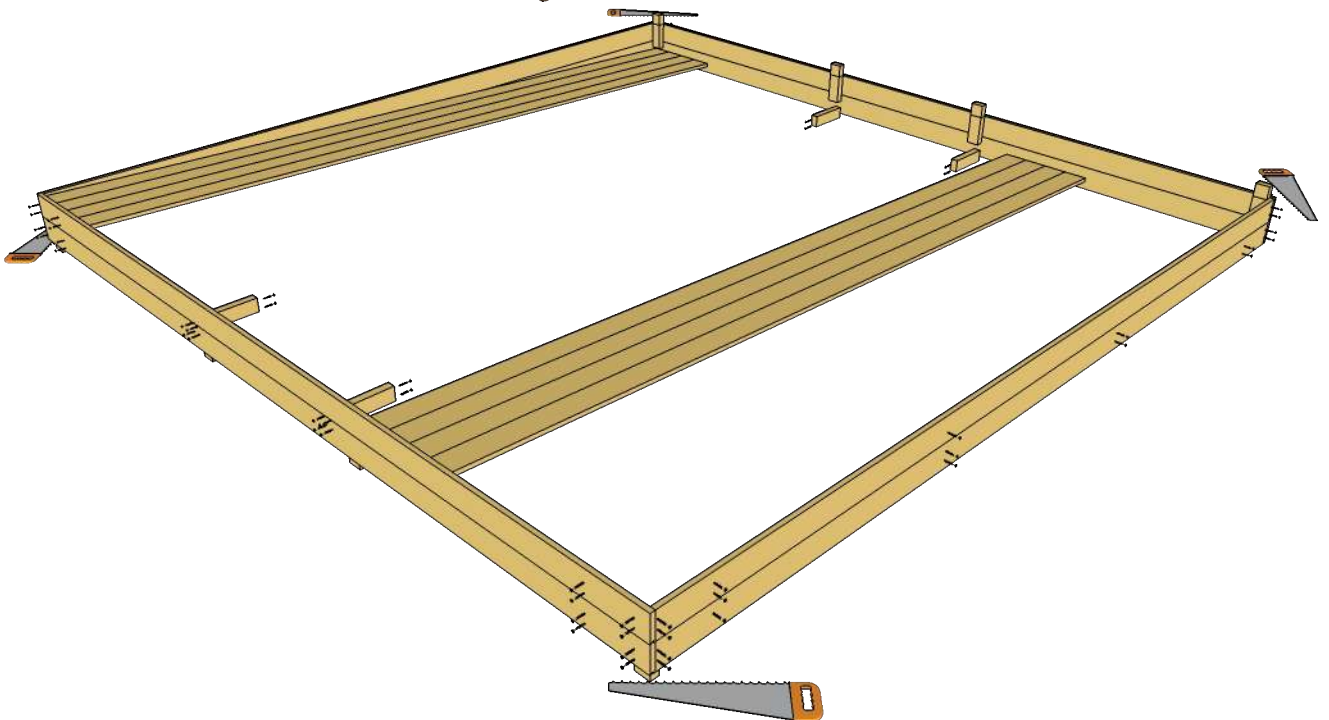
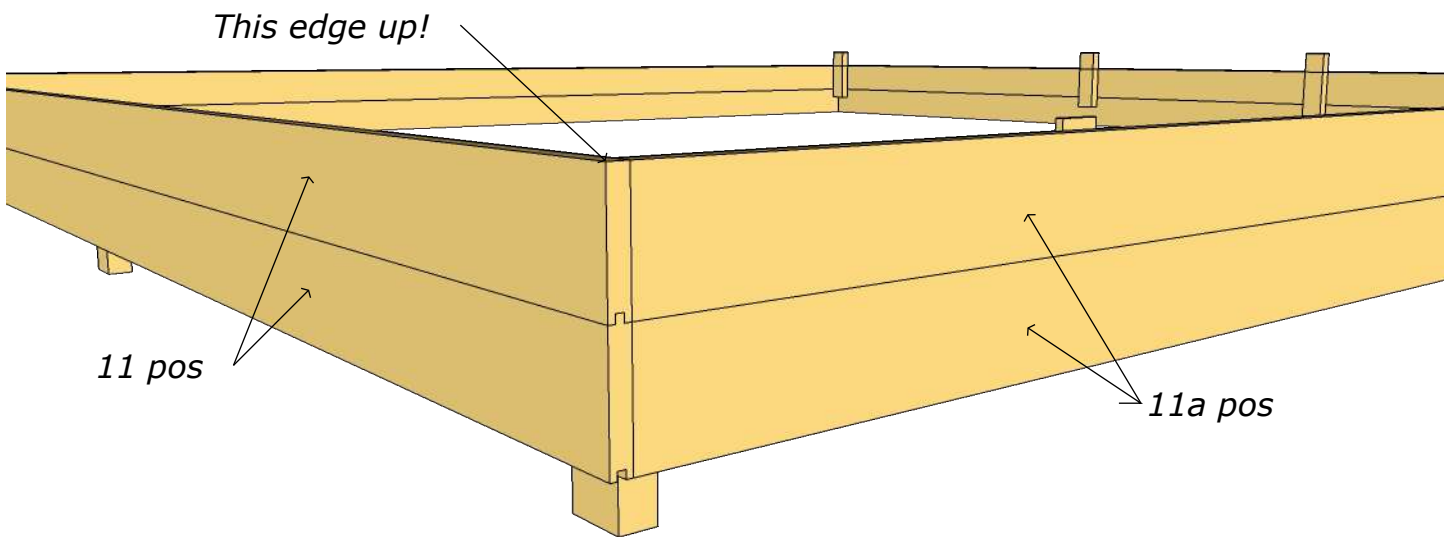
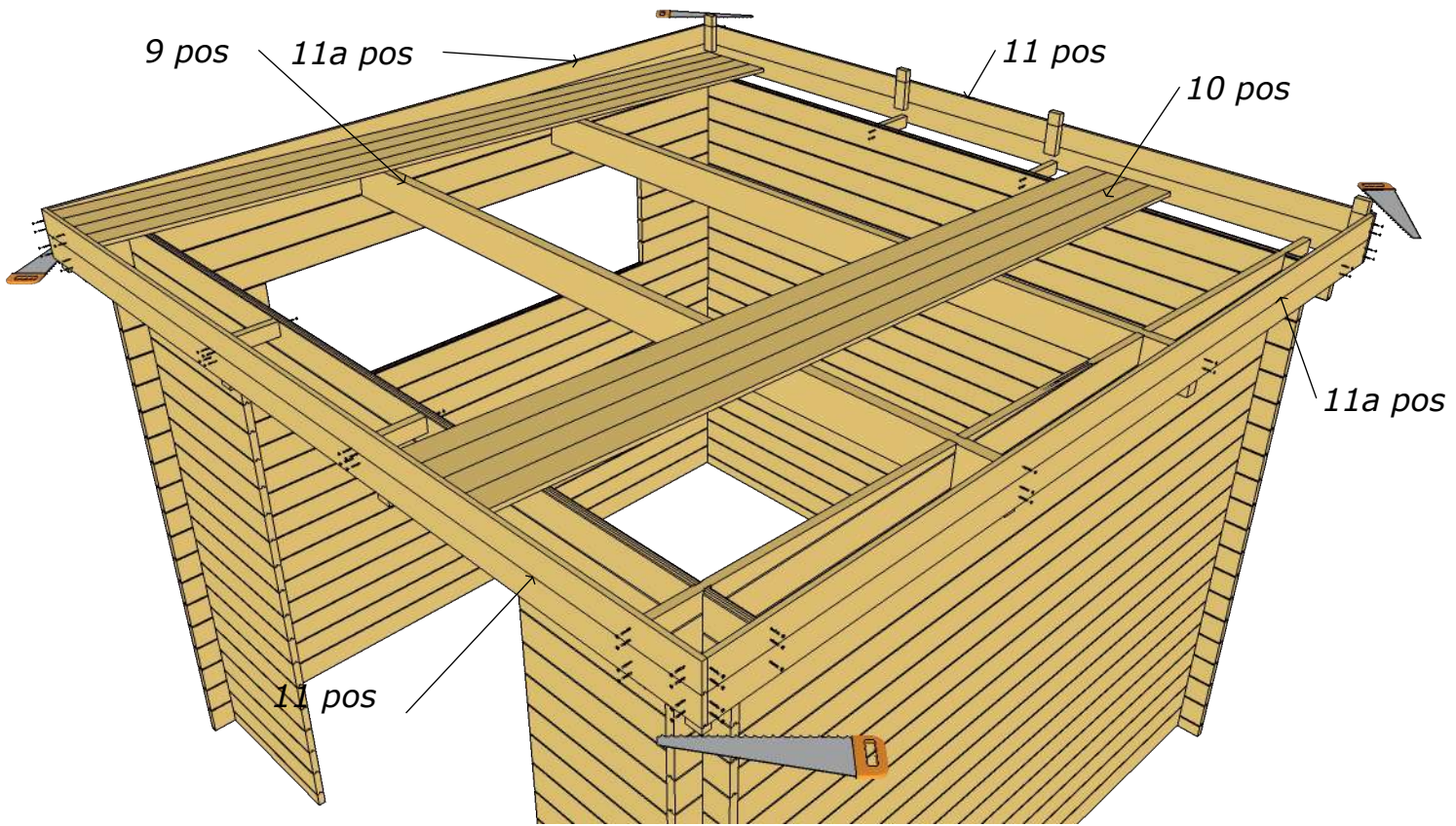


Wall C



Wall D





FERGIE 3x2,5+3 28mm DD

Pos	Size, mm			Quantity		Destination
	h	b	l			
3	28	55	5980	1		Wall B
3a	28	55	680	2		Wall A
4	28	110	2500	34		Wall C,D
5	28	110	680	34		Wall A
6	28	110	5980	19		Wall A, B
7	28	110	305	18		Wall A,E
8	28	302	2720	3		Vault
9	34	110	5980	2		Rafter
10	16	90	2732	68		Roof board
11	16	110	2893	2		Wind board A=B
11a	16	110	3119	2		Wind board A=B
12	16	110	2733	2		Wind board C=E
13	44	96	1815	1		Pillar

Bodine 3x3 28mm DD PW

Pos	Size, mm			Quantity		Destination
	h	b	l			
3	28	55	2980	1		Wall B
3a	28	55	770	2		Wall A
4	28	110	2980	50		Wall A,B,C,D
4a	28	110	550	10		Wall C,D
5	28	110	770	36		Wall A
7	28	110	3140	2+1		Wall A,B
8	28	290	3140	2		Vault
9	44	140	3140	2		Rafter
10	16	90	3142	35+1		Roof board
11	16	90	3172	4		Wind board A,B
11a	16	90	3140	4		Wind board C,E
	28	50	210	12		Wind board support